



## Waveguide Broadwall Directional Coupler

## WDC28292F-40

### 40dB, WR28, 26.3-40 GHz, Square Cover Flange, 2.92mm Female Coupled Port

Rev 1

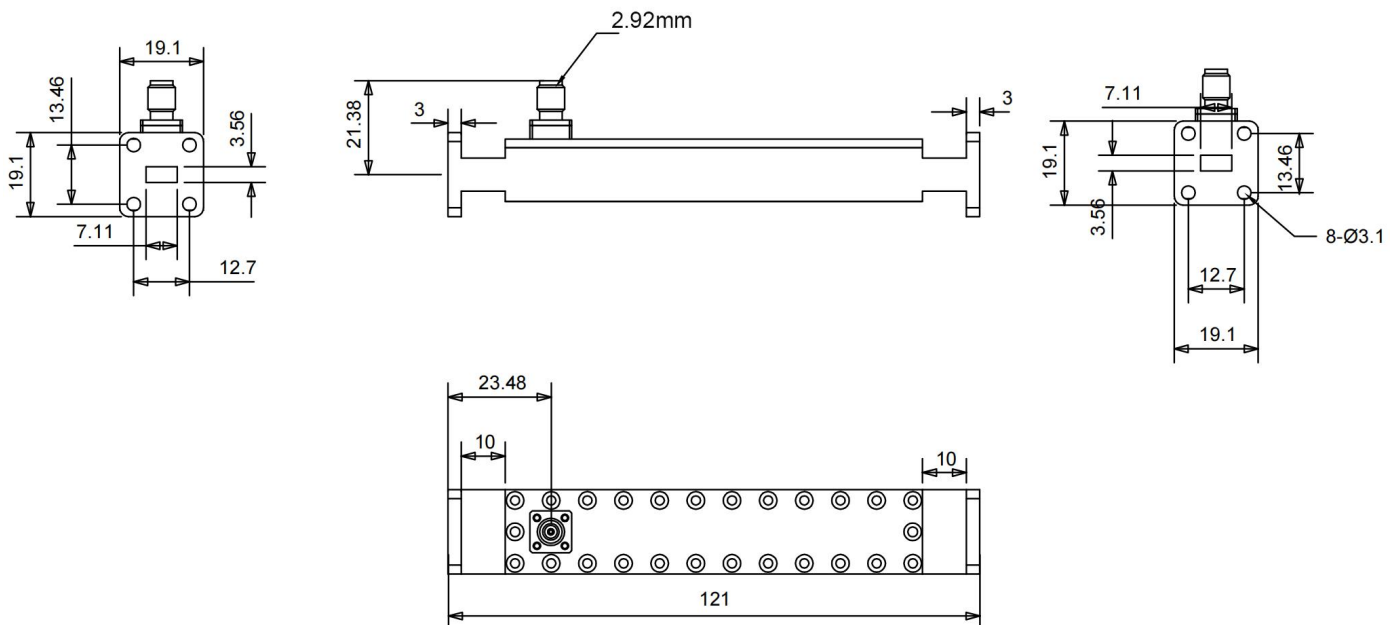
#### Electrical

Frequency Range	26.3-40 GHz
VSWR	1.10 max(Main line), 1.3 max (Secondary line)
Coupling	40 ± 1 dB
Directivity	25 dB min
Operating Temperature	-40 °C ~ +70 °C

#### Mechanical

Waveguide Size	WR28(R320)
Flange Type	IEC: UBR320
Flange Material and plating	Aluminum, Conductive oxidation
Body Material and Plating	Aluminum, Painted
Coupled Port	2.92mm Female

#### Dimensions(mm)





Typical Test Data

