



Waveguide Broadwall Directional Coupler

WDC284-50

50dB, WR284, 2.6-3.95 GHz, Rectangular Cover Flange

Rev 1

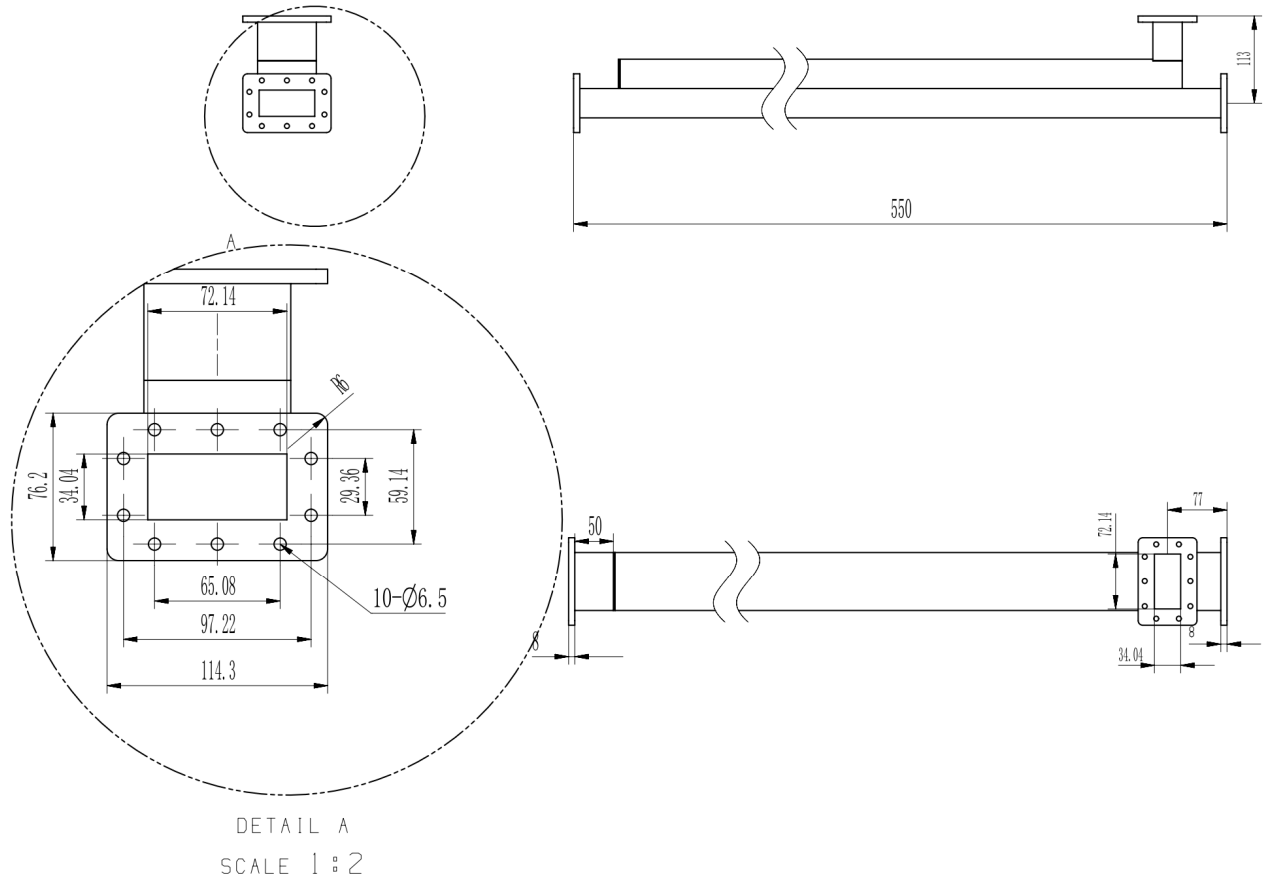
Electrical

Frequency Range	2.6-3.95 GHz
VSWR	1.10 max(Main line), 1.25 max (Secondary line)
Coupling	50 ± 1.0 dB
Directivity	30 dB min
Operating Temperature	-40 °C ~ +70 °C

Mechanical

Waveguide Size	WR284(R32)
Flange Type	IEC: UDR32
Flange Material and plating	Aluminum, Conductive oxidation
Body Material and Plating	Aluminum, Painted
Net Weight	Approx 1.75kg

Dimensions(mm)





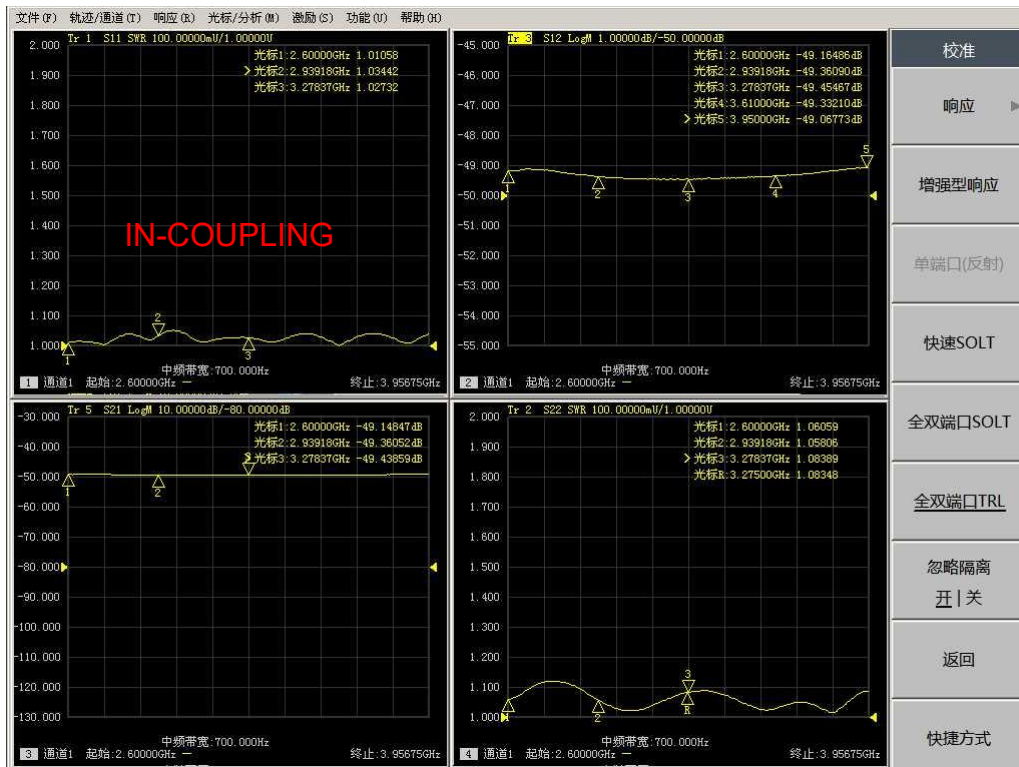
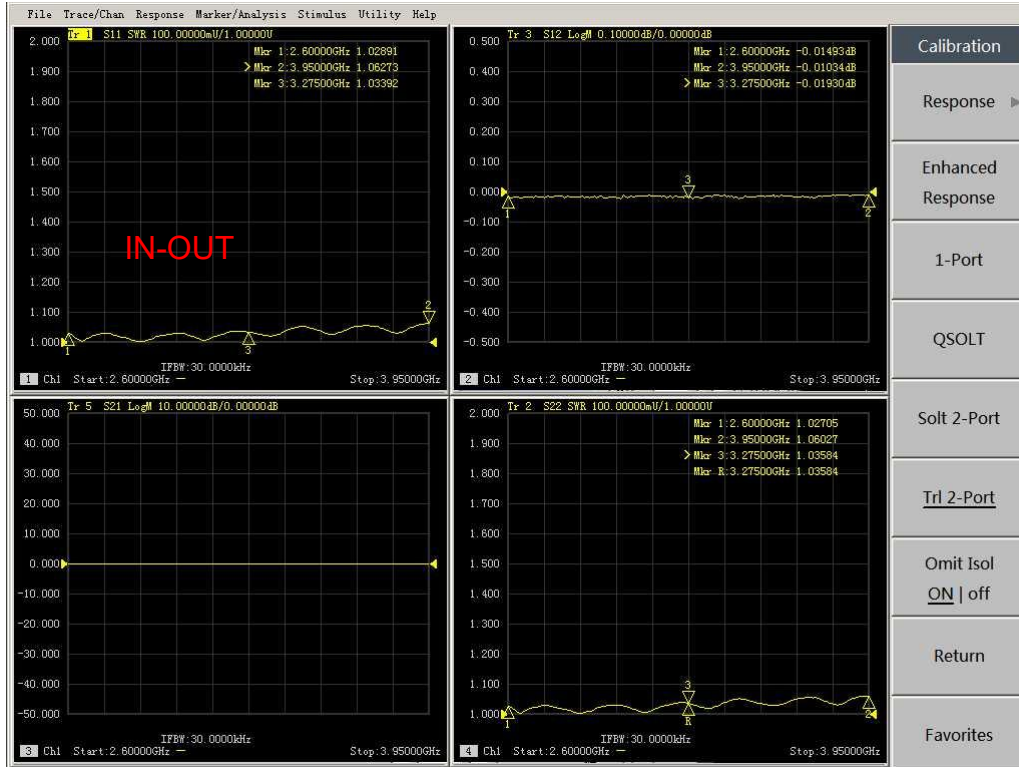
Waveguide Broadwall Directional Coupler

WDC284-50

50dB, WR284, 2.6-3.95 GHz, Rectangular Cover Flange

Rev 1

Typical Test Data





Waveguide Broadwall Directional Coupler

WDC284-50

50dB, WR284, 2.6-3.95 GHz, Rectangular Cover Flange

Rev 1

