



**Waveguide Broadwall Directional Coupler**

**WDC62292F-20**

**20dB, WR62, 11.9-18 GHz, Square Cover Flange, 2.92mm Female Coupled Port**

Rev 1

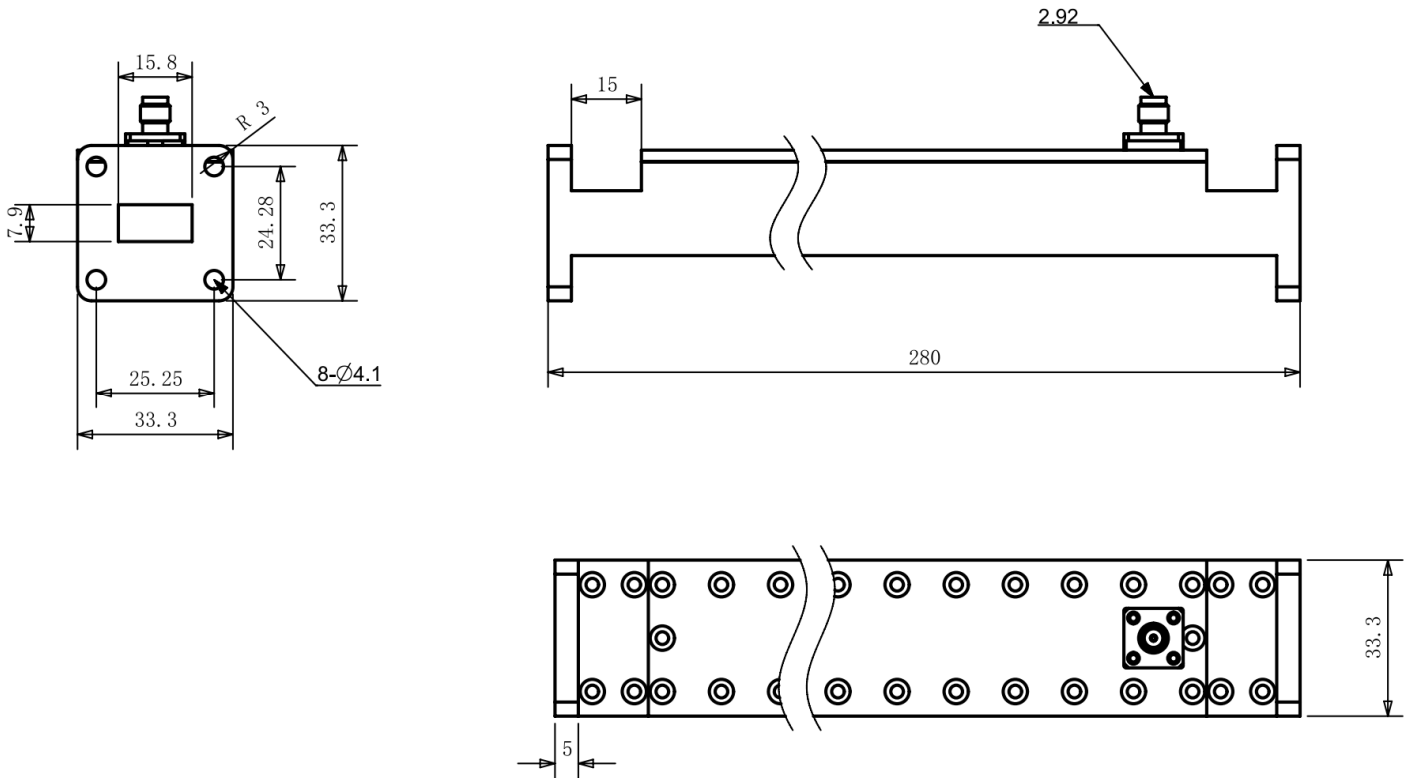
**Electrical**

<b>Frequency Range</b>	11.9-18 GHz
<b>VSWR</b>	1.10 max(Main line), 1.25 max (Secondary line)
<b>Coupling</b>	20 ± 1.5 dB
<b>Directivity</b>	30 dB min
<b>Operating Temperature</b>	-40°C ~ +70°C

**Mechanical**

<b>Waveguide Size</b>	WR62(R140)
<b>Flange Type</b>	IEC: UBR140
<b>Flange Material and plating</b>	Aluminum, Conductive oxidation
<b>Body Material and Plating</b>	Aluminum, Painted
<b>Coupled Port</b>	2.92mm Female

**Dimensions(mm)**





Typical Test Data





Waveguide Broadwall Directional Coupler

WDC62292F-20

20dB, WR62, 11.9-18 GHz, Square Cover Flange, 2.92mm Female Coupled Port

Rev 1

