



Waveguide Broadwall Directional Coupler

WDC75SF-40

40dB, WR75, 9.84-15.0 GHz, Square Cover Flange, SMA Female Coupled Port

Rev 2

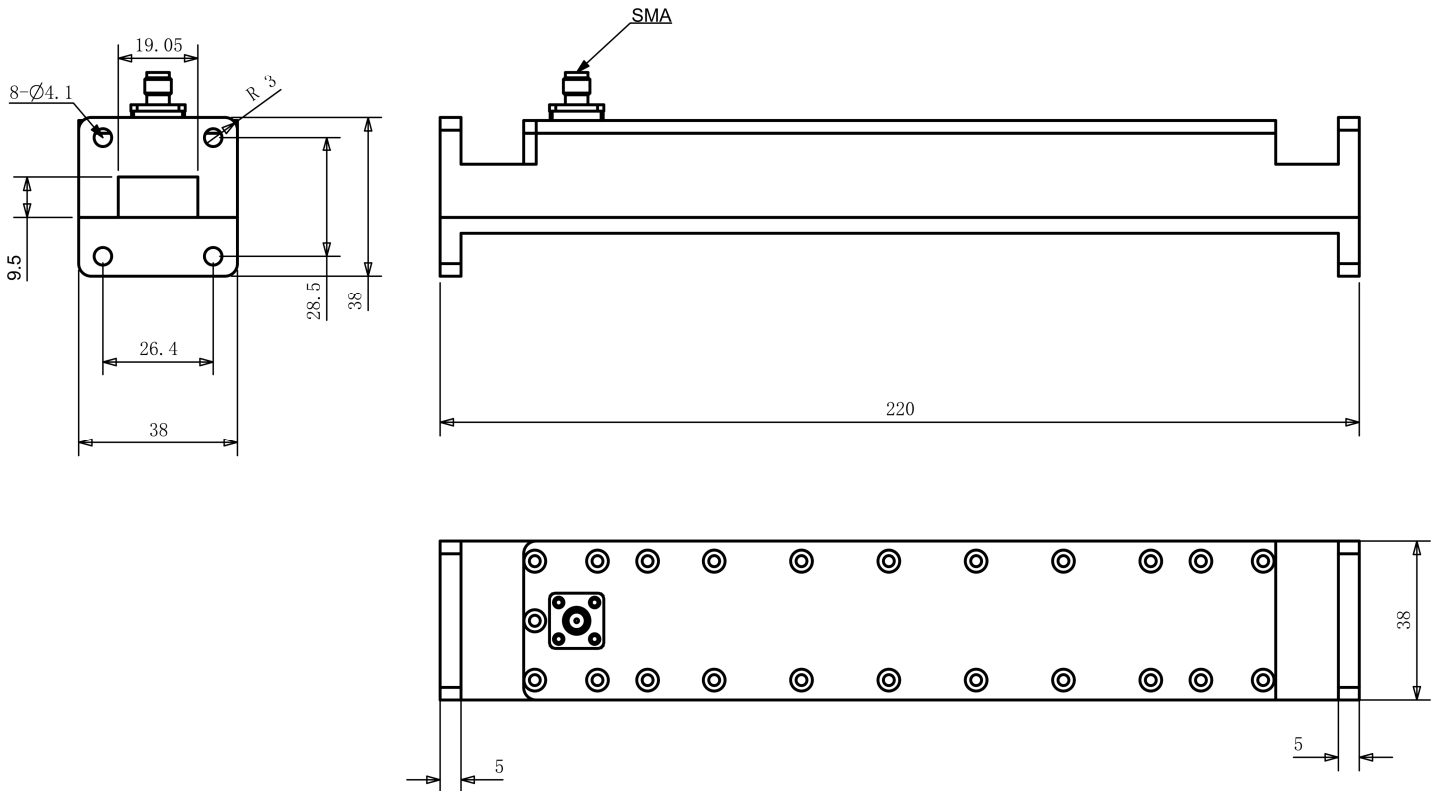
Electrical

Frequency Range	9.84-15.0 GHz
VSWR	1.10 max(Main line), 1.25 max (Secondary line)
Coupling	40 ± 1.0 dB
Directivity	30 dB min
Operating Temperature	-40°C ~+70°C

Mechanical

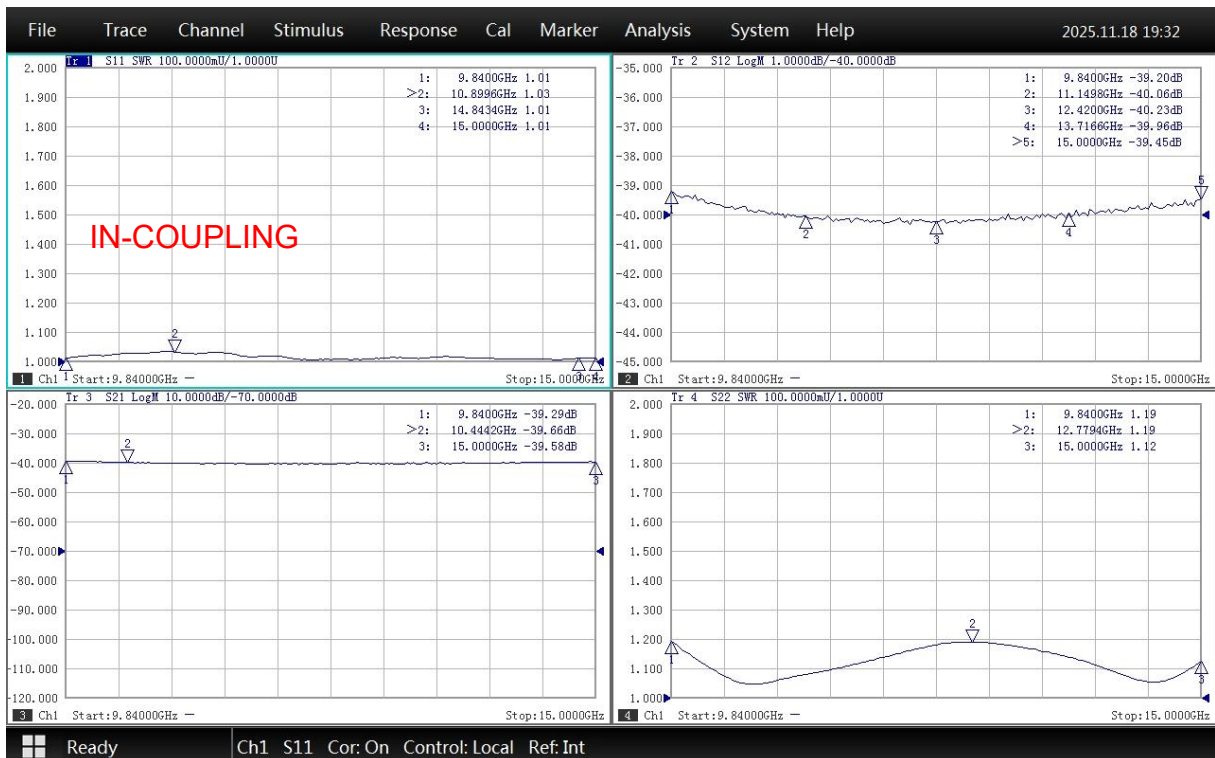
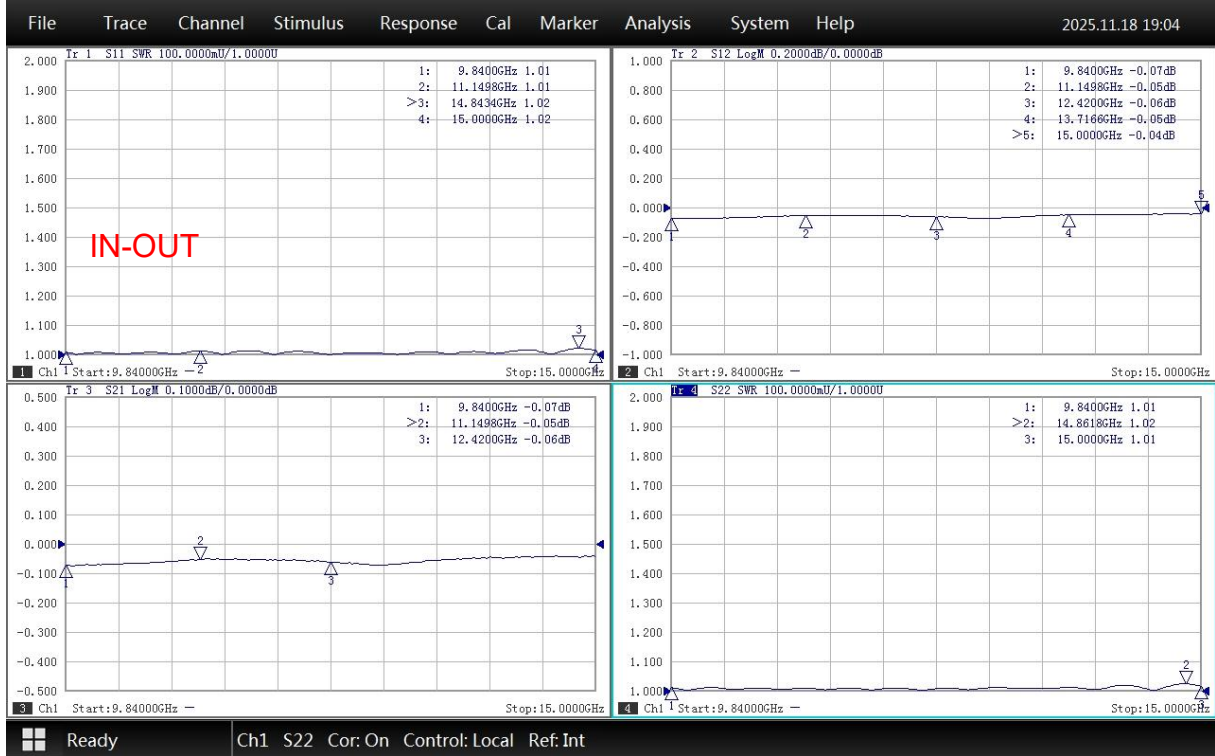
Waveguide Size	WR75(R120)
Flange Type	IEC: UBR120
Flange Material and plating	Aluminum, Conductive oxidation
Body Material and Plating	Aluminum, Painted
Coupled Port	SMA Female

Dimensions(mm)





Typical Test Data





Waveguide Broadwall Directional Coupler

WDC75SF-40

40dB, WR75, 9.84-15.0 GHz, Square Cover Flange, SMA Female Coupled Port

Rev 2

