



Waveguide Crossguide Directional Coupler

WDCT2224F-50

50dB, WR22, 32.9-50.1 GHz, UG383/U Round Cover Flange, 2.4mm Female Coupled Port

Rev 1

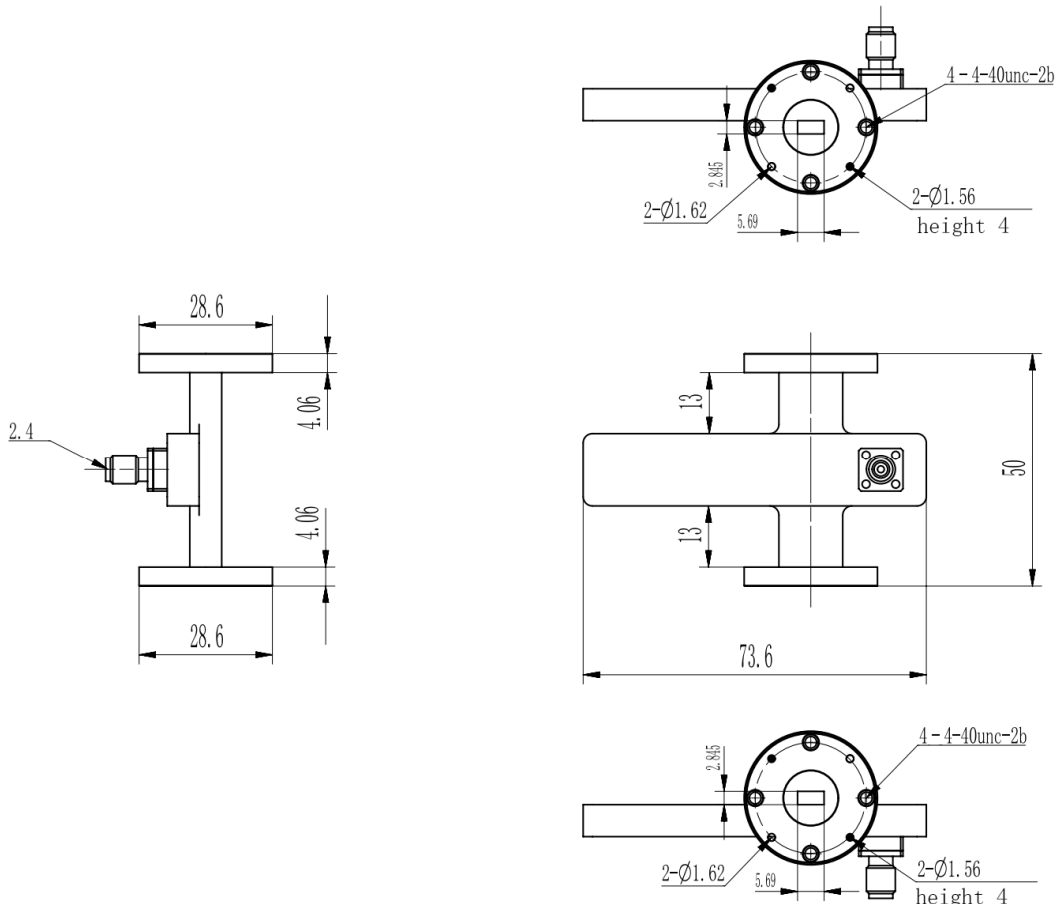
Electrical

Frequency Range	32.9-50.1 GHz
VSWR	1.10 max(Main line), 1.4 max (Secondary line)
Coupling	50 ± 1.5 dB
Directivity	15 dB min
Operating Temperature	-40°C ~ +70°C

Mechanical

Waveguide Size	WR22(R400)
Flange Type	UG 383/U
Flange Material and plating	Copper, gold plated
Body Material and Plating	Copper, gold plated
Coupled Port	2.4mm Female

Dimensions(mm)





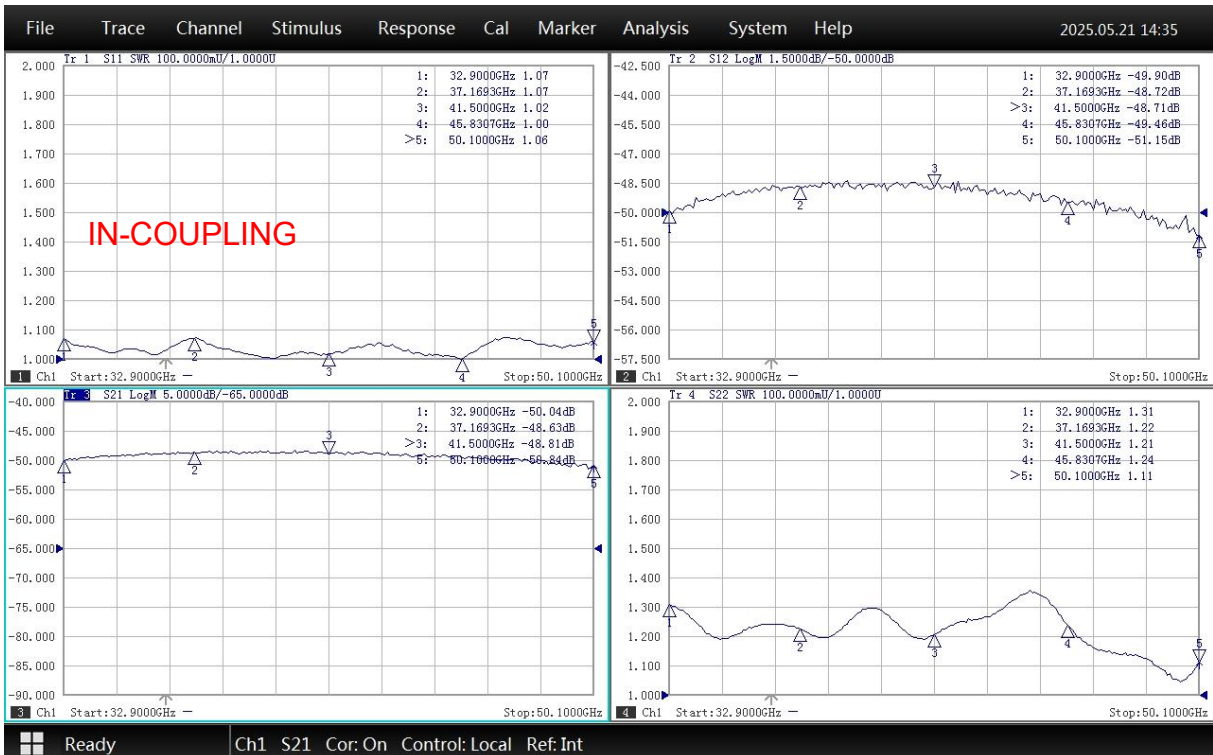
Waveguide Crossguide Directional Coupler

WDCT2224F-50

50dB, WR22, 32.9-50.1 GHz, UG383/U Round Cover Flange, 2.4mm Female Coupled Port

Rev 1

Typical Test Data





50dB, WR22, 32.9-50.1 GHz, UG383/U Round Cover Flange, 2.4mm Female Coupled Port

Rev 1

