



Waveguide Crossguide Directional Coupler **WDCT28G292F-40**

40dB, WR28, 26.3-40 GHz, PBR320 Grooved Flange, 2.92mm Female Coupled Port

Rev 1

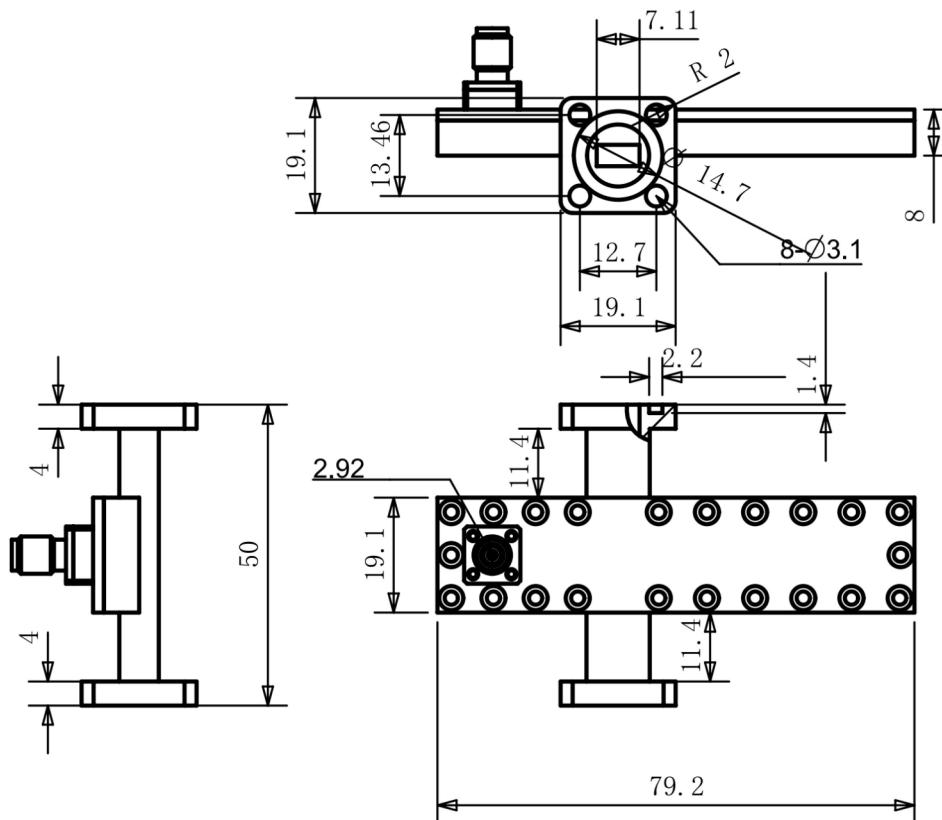
Electrical

Frequency Range	26.3-40 GHz
VSWR	1.10 max(Main line), 1.25 max (Secondary line)
Coupling	40 ± 1.5 dB
Directivity	16 dB min
Operating Temperature	-40°C~+70°C
Avg Power	1000 W

Mechanical

Waveguide Size	WR28(R320)
Flange Type	PBR320
Flange Material	Aluminum, Conductive oxidation
Body Material and Plating	Aluminum, Painted
Coupled Port	2.92mm Female

Dimensions(mm)



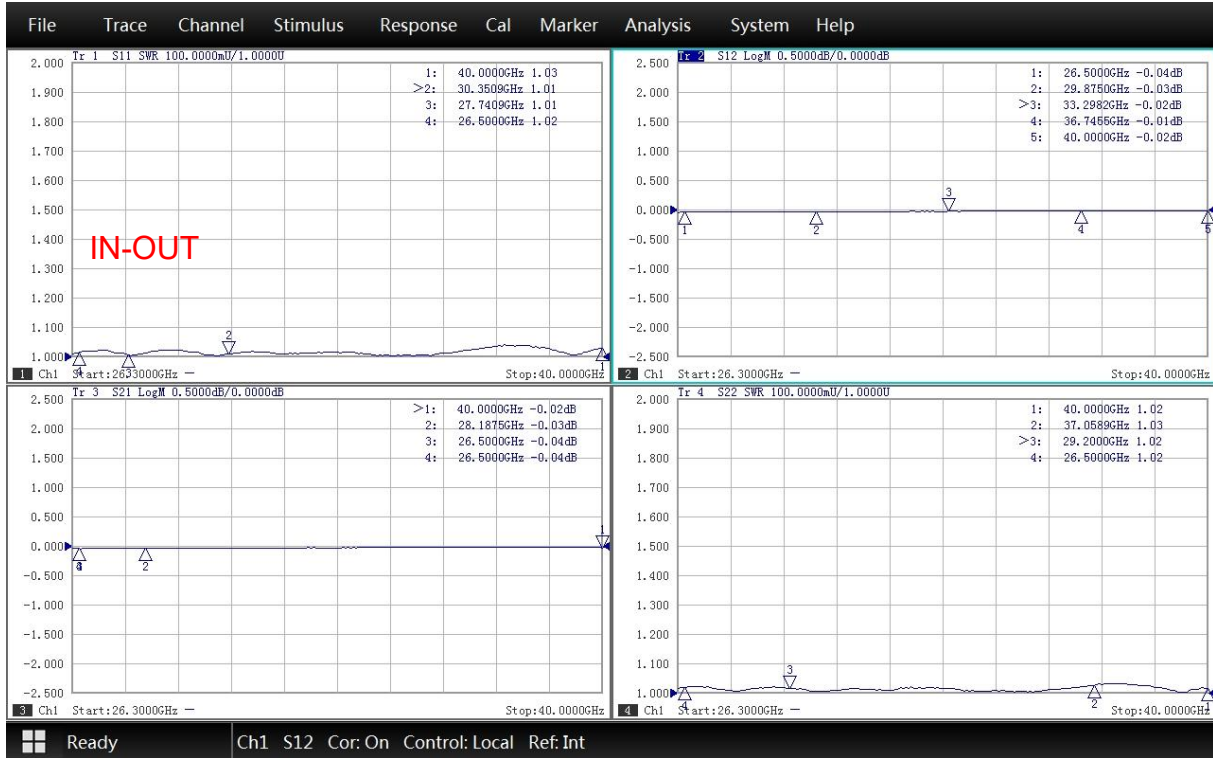


Waveguide Crossguide Directional Coupler **WDCT28G292F-40**

40dB, WR28, 26.3-40 GHz, PBR320 Grooved Flange, 2.92mm Female Coupled Port

Rev 1

Typical Test Data





Waveguide Crossguide Directional Coupler **WDCT28G292F-40**

40dB, WR28, 26.3-40 GHz, PBR320 Grooved Flange, 2.92mm Female Coupled Port

Rev 1

