



# Waveguide Crossguide Directional Coupler

# WDCT90SF-50

50dB, WR90, 8.2-12.5 GHz, Square Cover Flange, SMA Female Coupled Port

Rev 1

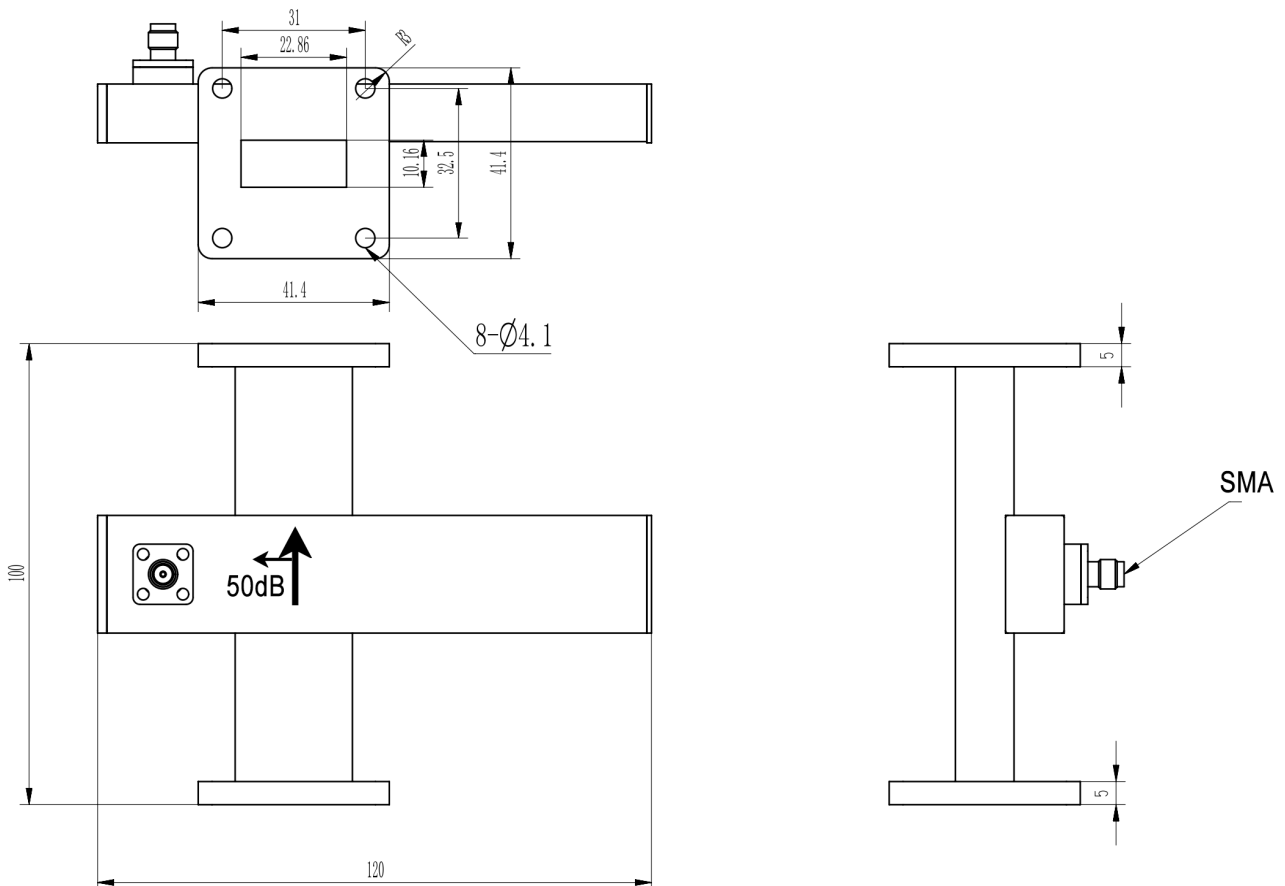
## Electrical

Frequency Range	8.2-12.5 GHz
VSWR	1.10 max(Main line), 1.25 max (Secondary line)
Coupling	50 ± 1.5 dB
Directivity	15 dB min
Operating Temperature	-40°C ~ +70°C

## Mechanical

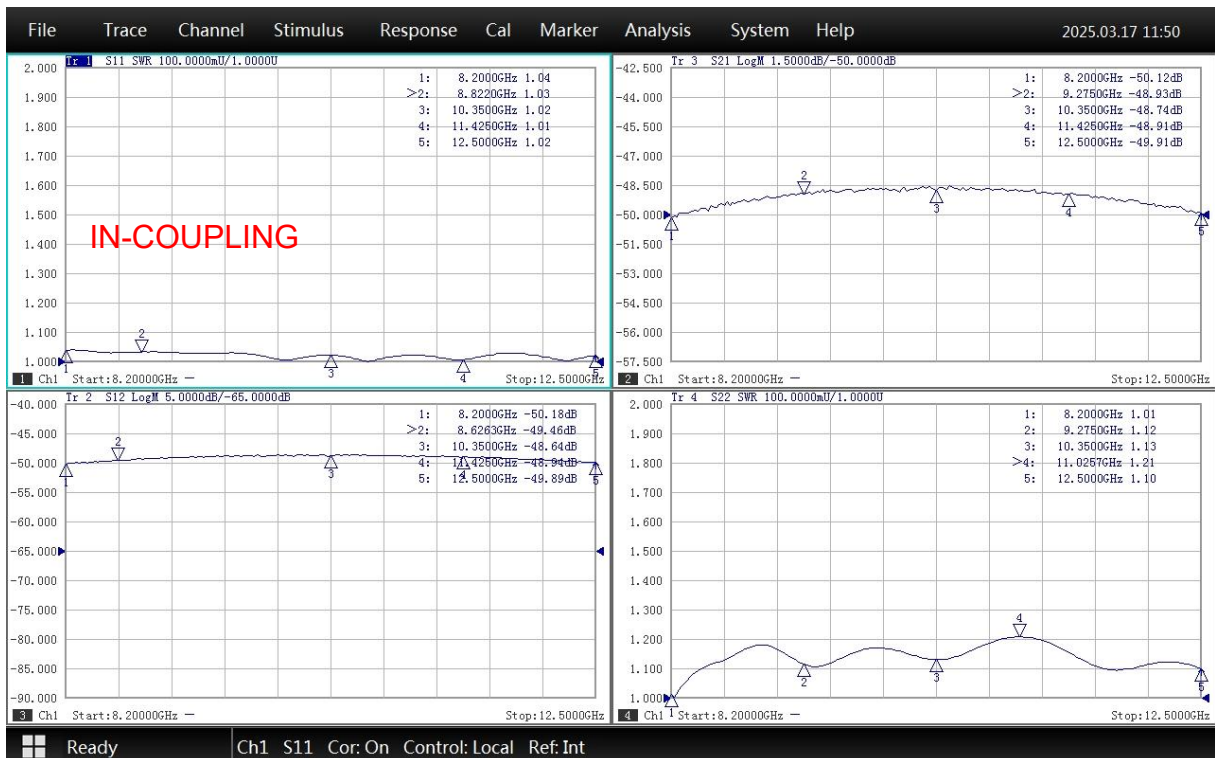
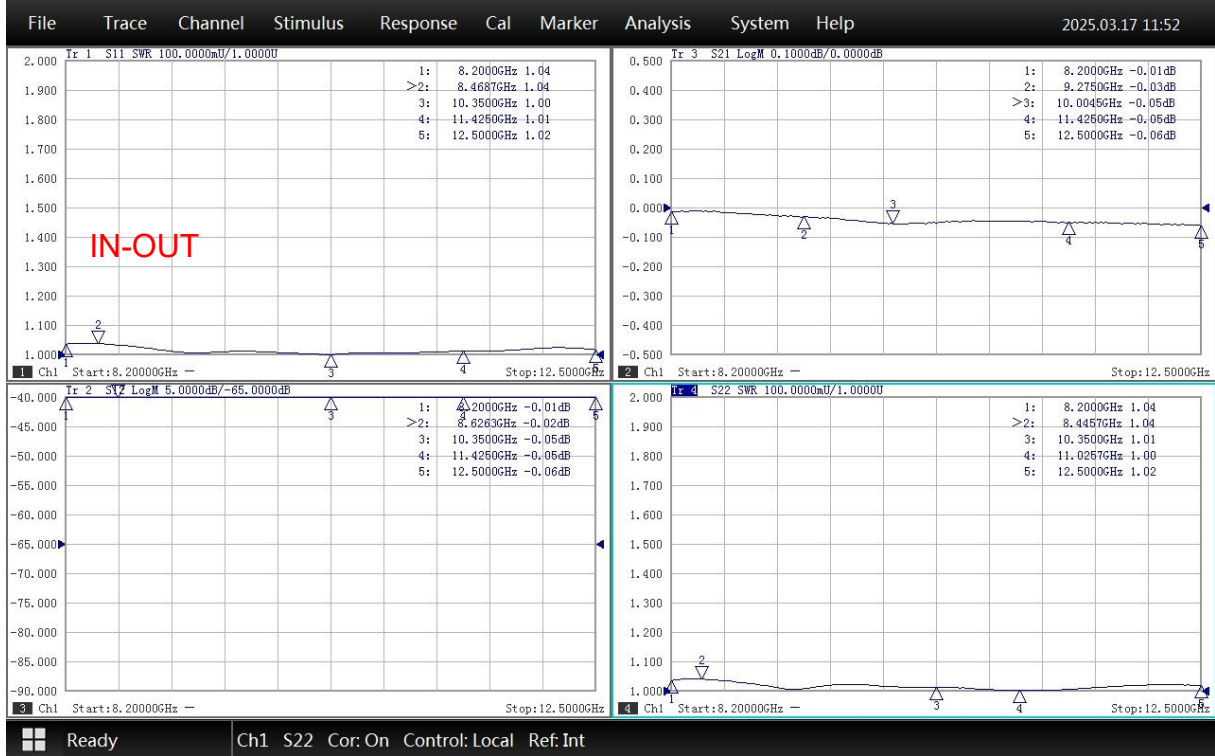
Waveguide Size	WR75(R100)
Flange Type	IEC: UBR100
Flange Material and plating	Aluminum, Conductive oxidation
Body Material and Plating	Aluminum, Painted
Coupled Port	SMA Female

## Dimensions(mm)





Typical Test Data





Waveguide Crossguide Directional Coupler

WDCT90SF-50

50dB, WR90, 8.2-12.5 GHz, Square Cover Flange, SMA Female Coupled Port

Rev 1

