



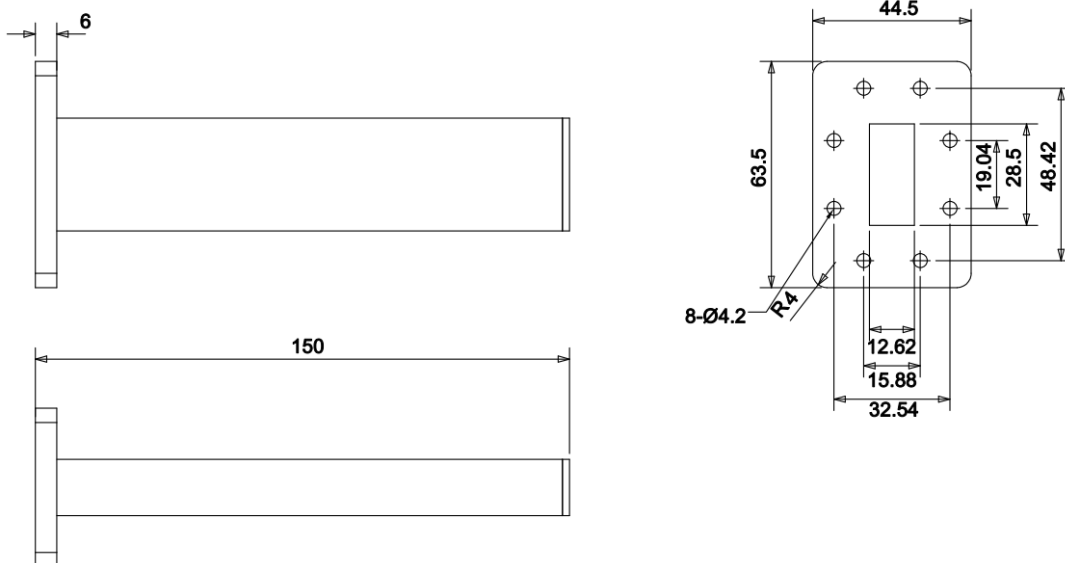
### Electrical

Frequency Range	6.57-9.99 GHz
VSWR	1.03 max
Input Avg Power	4 Watts @ 25°C
Operating Temperature	-40°C ~ +70°C

### Mechanical

Waveguide Size	WR112(R84)
Flange Type	IEC: UDR84
Waveguide Material	Aluminum
Waveguide Finish	Grey painted

### Dimensions(mm)





Typical Test Data

