

Waveguide Termination

WT112D



WR112, 6.57-10 GHz, 4 Watts, UDR84 Cover Flange

Rev 1

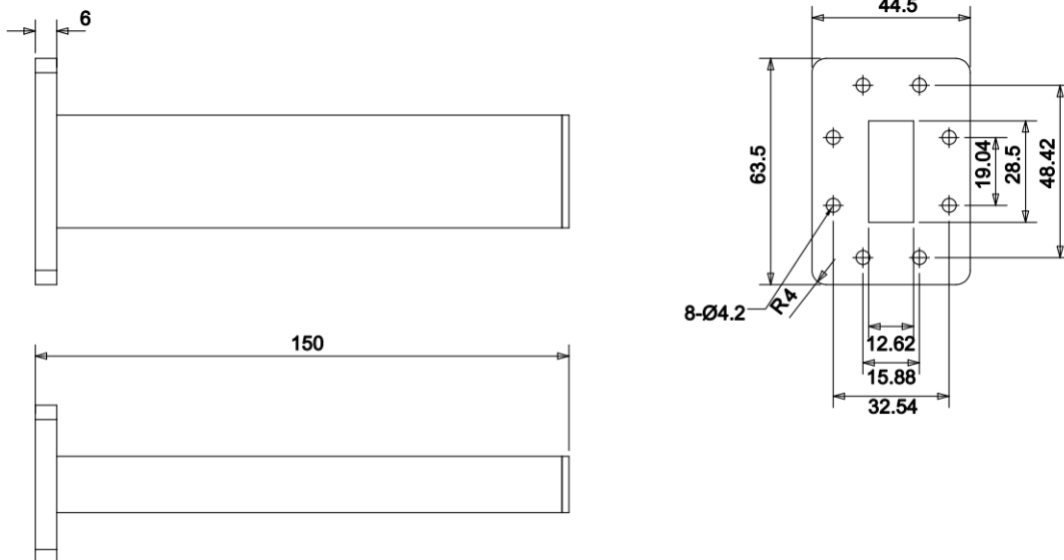
Electrical

Frequency Range	6.57-10 GHz
VSWR	1.03 max
Input Avg Power	4 Watts @ 25°C
Operating Temperature	-40°C ~ +70°C

Mechanical

Waveguide Size	WR112(R84)
Flange Type	IEC: UDR84
Waveguide Material	Aluminum
Waveguide Finish	Grey painted

Dimensions(mm)





Typical Test Data

