

Waveguide Termination

WT112G

WR112, 6.57-9.99 GHz, 2 Watts, Cover Groove Flange



Rev 1

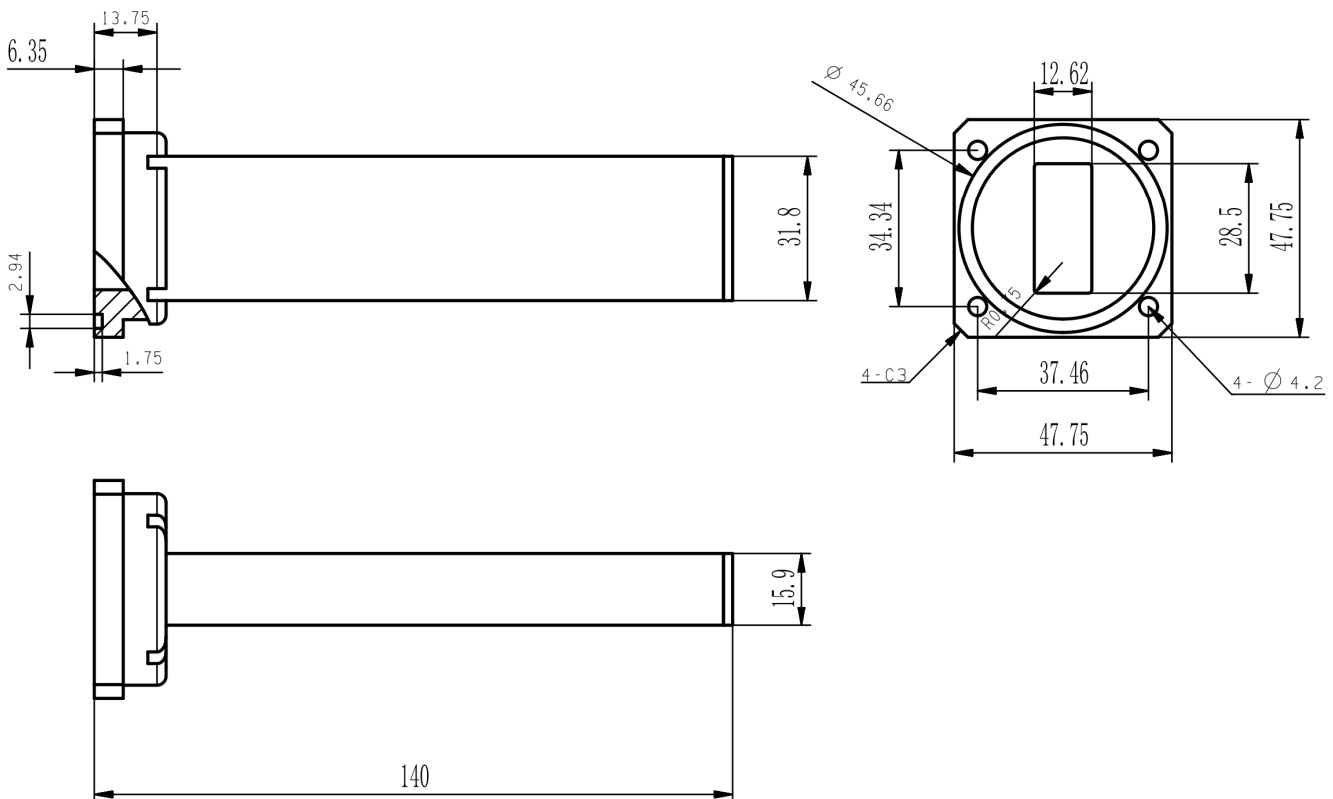
Electrical

Frequency Range	6.57-9.99 GHz
VSWR	1.03 max
Input Avg Power	2 Watts @ 25°C
Operating Temperature	-40°C ~ +70°C

Mechanical

Waveguide Size	WR112(R84)
Flange Type	IEC: PBR84
Waveguide Material	Aluminum
Waveguide Finish	Grey painted

Dimensions(mm)





Typical Test Data

