

Waveguide Termination

WT229A

WR229, 3.22-4.90 GHz, 10 Watts, Rectangular Cover Flange



Rev 1

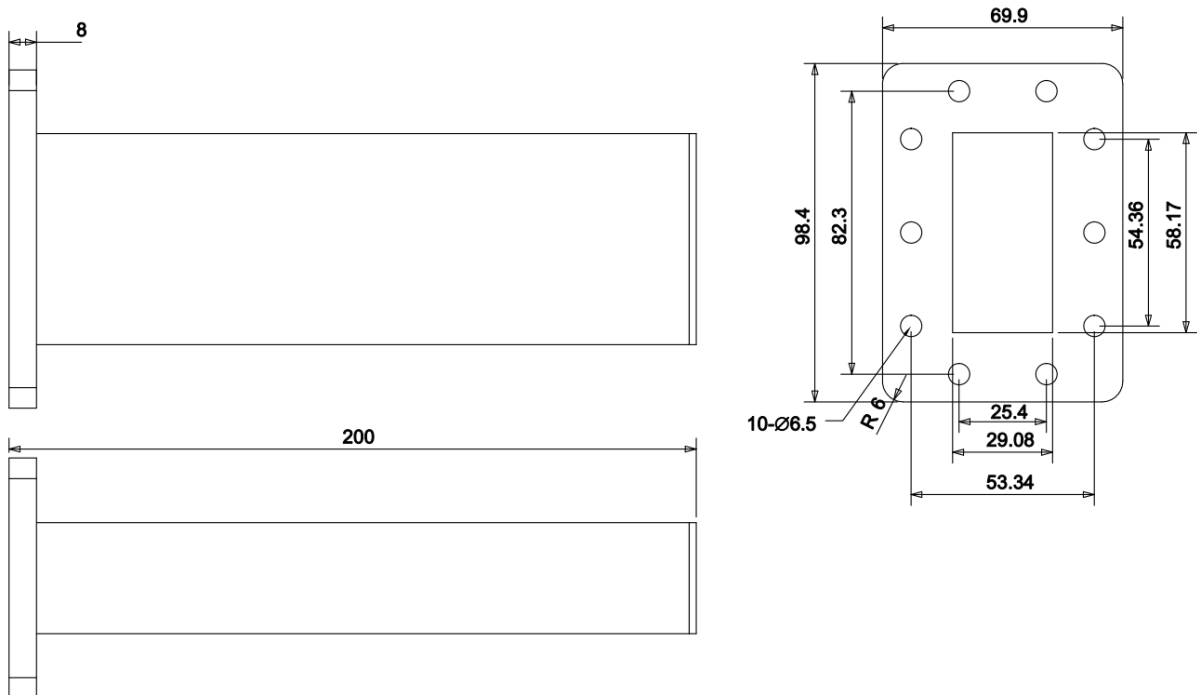
Electrical

| | |
|-----------------------|-----------------|
| Frequency Range | 3.22-4.90 GHz |
| VSWR | 1.03 max |
| Input Avg Power | 10 Watts @ 25°C |
| Operating Temperature | -40°C ~ +70°C |

Mechanical

| | |
|--------------------|--------------|
| Waveguide Size | WR229(R40) |
| Flange Type | IEC: UDR40 |
| Waveguide Material | Aluminum |
| Waveguide Finish | Grey painted |

Dimensions(mm)





Typical Test Data

