



Waveguide Termination

WT229S

WR229, 3.22-4.90 GHz, 30 Watts, Rectangular Cover Flange

Rev 1

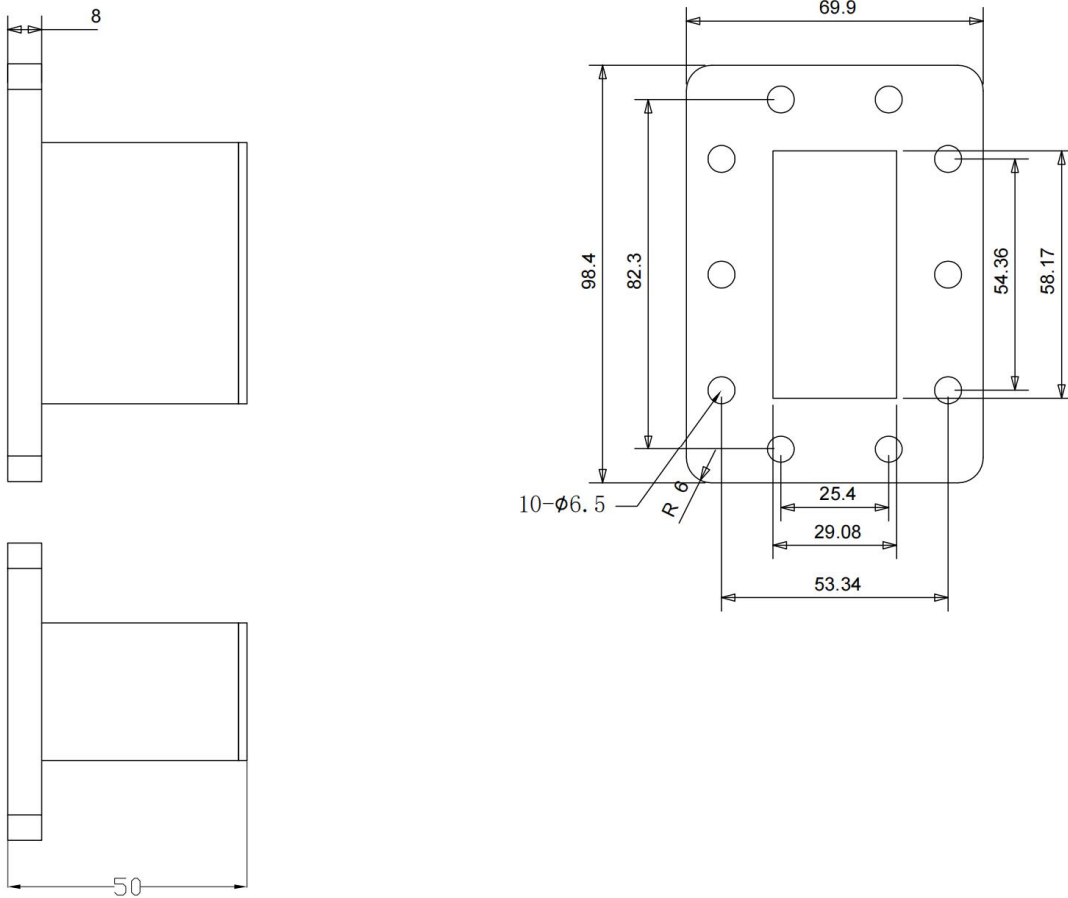
Electrical

Frequency Range	3.22-4.90 GHz
VSWR	1.2 max
Input Avg Power	30 Watts @ 25°C
Operating Temperature	-40°C ~ +70°C

Mechanical

Waveguide Size	WR229(R40)
Flange Type	IEC: UDR40
Waveguide Material	Aluminum
Waveguide Finish	Grey painted

Dimensions(mm)





Waveguide Termination

WT229S

WR229, 3.22-4.90 GHz, 30 Watts, Rectangular Cover Flange

Rev 1

Typical Test Data

