

Waveguide Termination

WT22S

WR22, 32.9-50.1 GHz, 2 Watts, UG383/U Cover Flange



Rev 1

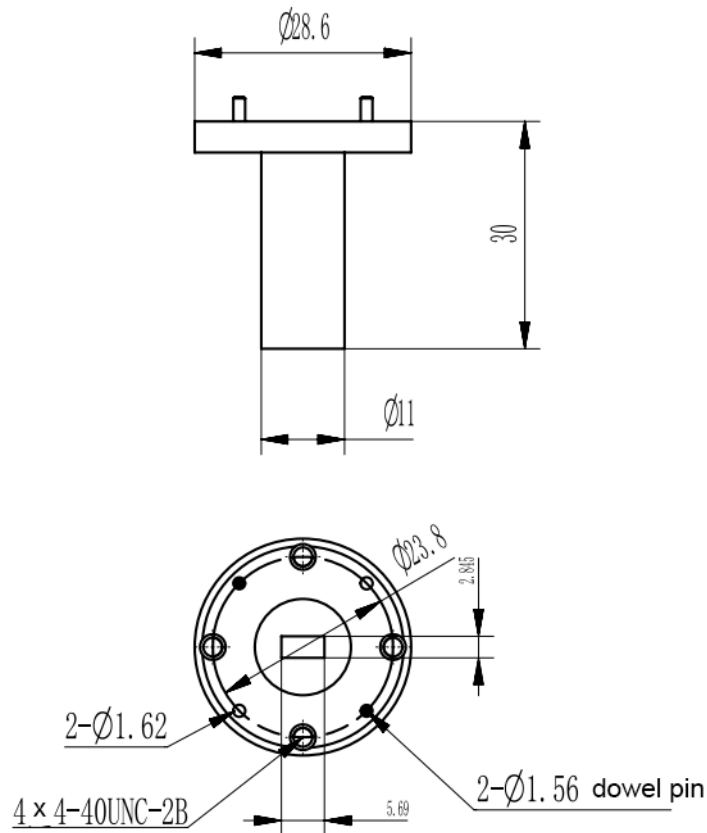
Electrical

Frequency Range	32.9-50.1 GHz
VSWR	1.2 max
Input Avg Power	2 Watts @ 25°C
Operating Temperature	-40°C ~ +70°C

Mechanical

Waveguide Size	WR22
Flange Type	M3922/67-001(UG383/U)
Waveguide Material	Copper
Waveguide Finish	Gold plated

Dimensions(mm)





Typical Test Data

