



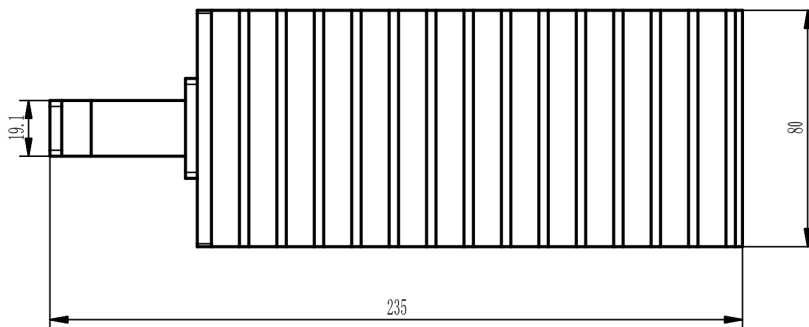
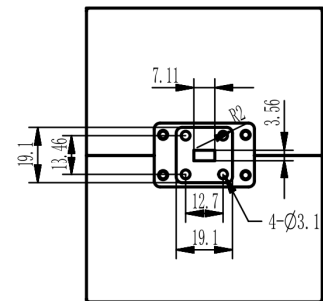
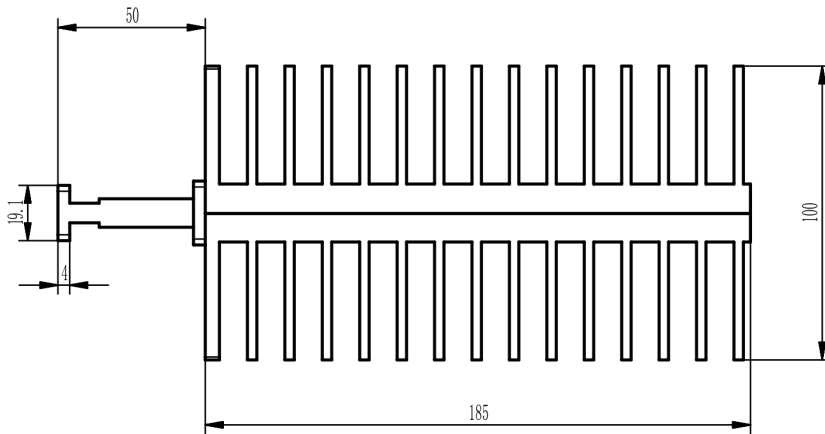
**Electrical**

Frequency Range	26.3-40 GHz
VSWR	1.15 max
Input Avg Power	600 Watts @ 25°C
Operating Temperature	-40°C ~ +70 °C

**Mechanical**

Waveguide Size	WR28(R320)
Flange Type	IEC: UBR320
Waveguide Material	Aluminum
Waveguide Finish	Black painted
Heat Sink Material	Aluminum
Heat Sink Finish	Black painted
Weight	About 1.5kg

**Dimensions(mm)**





Typical Test Data

