

# Waveguide Termination

# WT28G



## WR28, 26.3-40.0 GHz, 5 Watts, Cover Groove Flange

Rev 2

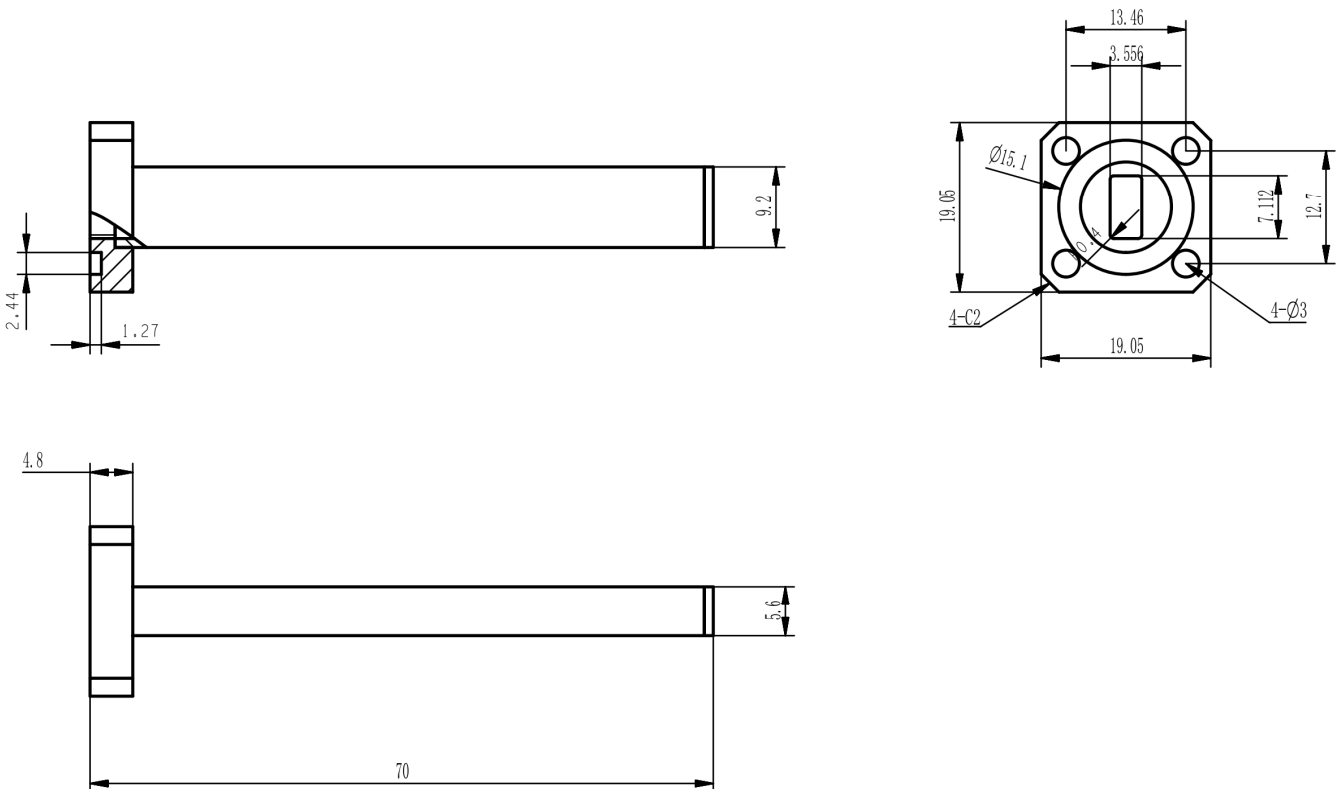
### Electrical

Frequency Range	26.3-40.0 GHz
VSWR	1.05 max
Input Avg Power	5 Watts @ 25°C
Operating Temperature	-40°C ~ +70°C

### Mechanical

Waveguide Size	WR28(R320)
Flange Type	IEC: PBR320
Waveguide Material	Aluminum
Waveguide Finish	Grey painted

### Dimensions(mm)





### Typical Test Data

