

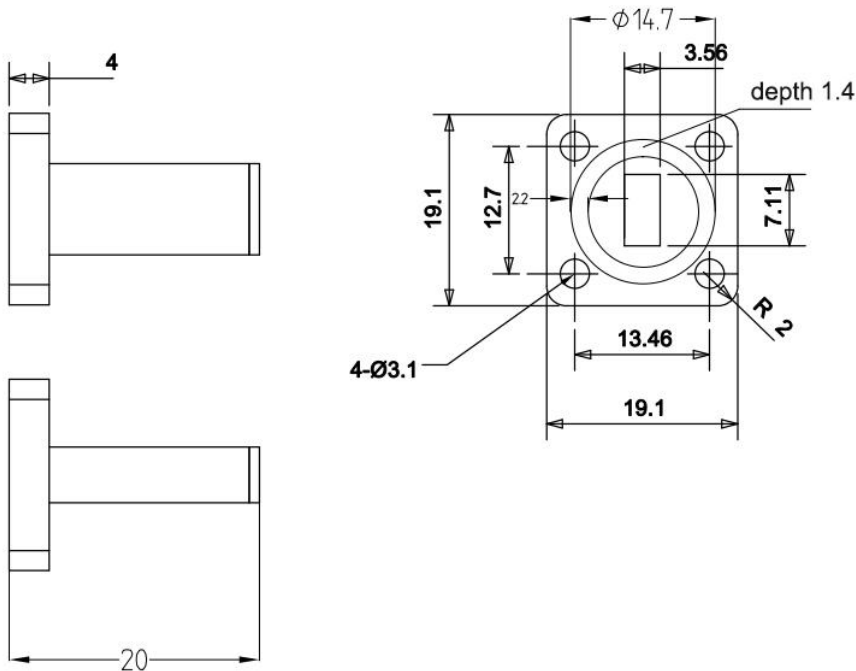
Electrical

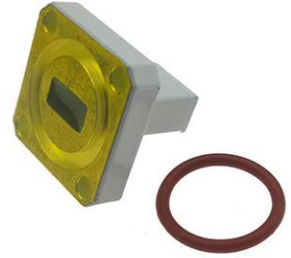
Frequency Range	26.3-40.0 GHz
VSWR	1.2 max
Input Avg Power	15 Watts @ 25°C
Operating Temperature	-40°C ~ +70°C

Mechanical

Waveguide Size	WR28(R320)
Flange Type	IEC: PBR320
Waveguide Material	Aluminum
Waveguide Finish	Grey painted

Dimensions(mm)





Waveguide Termination

WT28SG

WR28, 26.3-40.0 GHz, 15 Watts, Square Grooved Flange

Rev 1

Typical Test Data

