

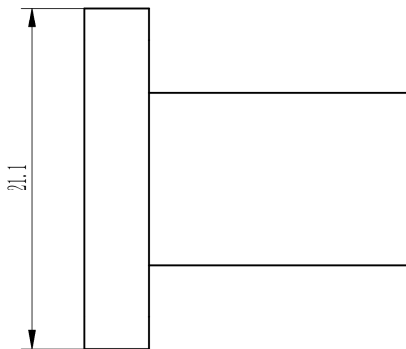
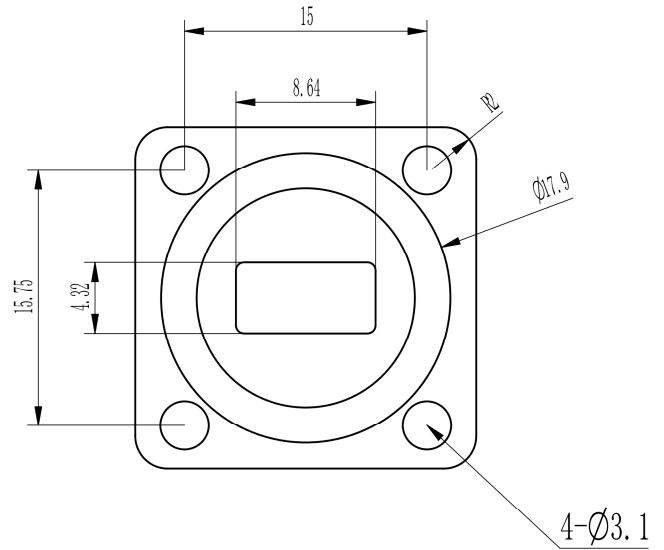
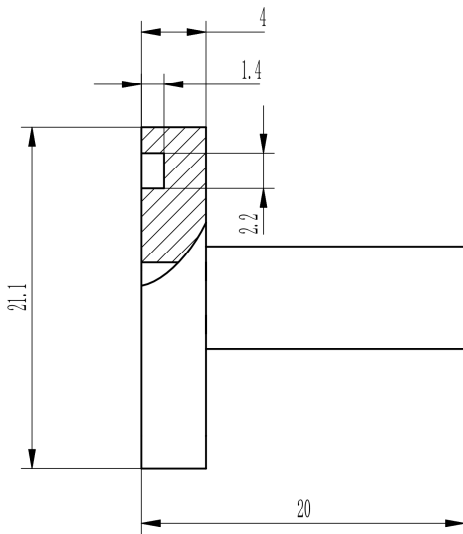
Electrical

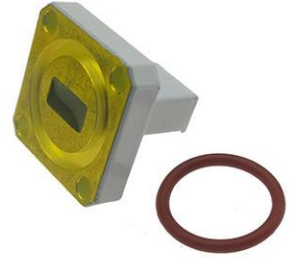
Frequency Range	21.7-33.0 GHz
VSWR	1.2 max
Input Avg Power	15 Watts @ 25°C
Operating Temperature	-40°C ~ +70°C

Mechanical

Waveguide Size	WR34(R260)
Flange Type	PBR260 Grooved Flange
Waveguide Material	Aluminum
Waveguide Finish	Grey painted

Dimensions(mm)





Typical Test Data

