

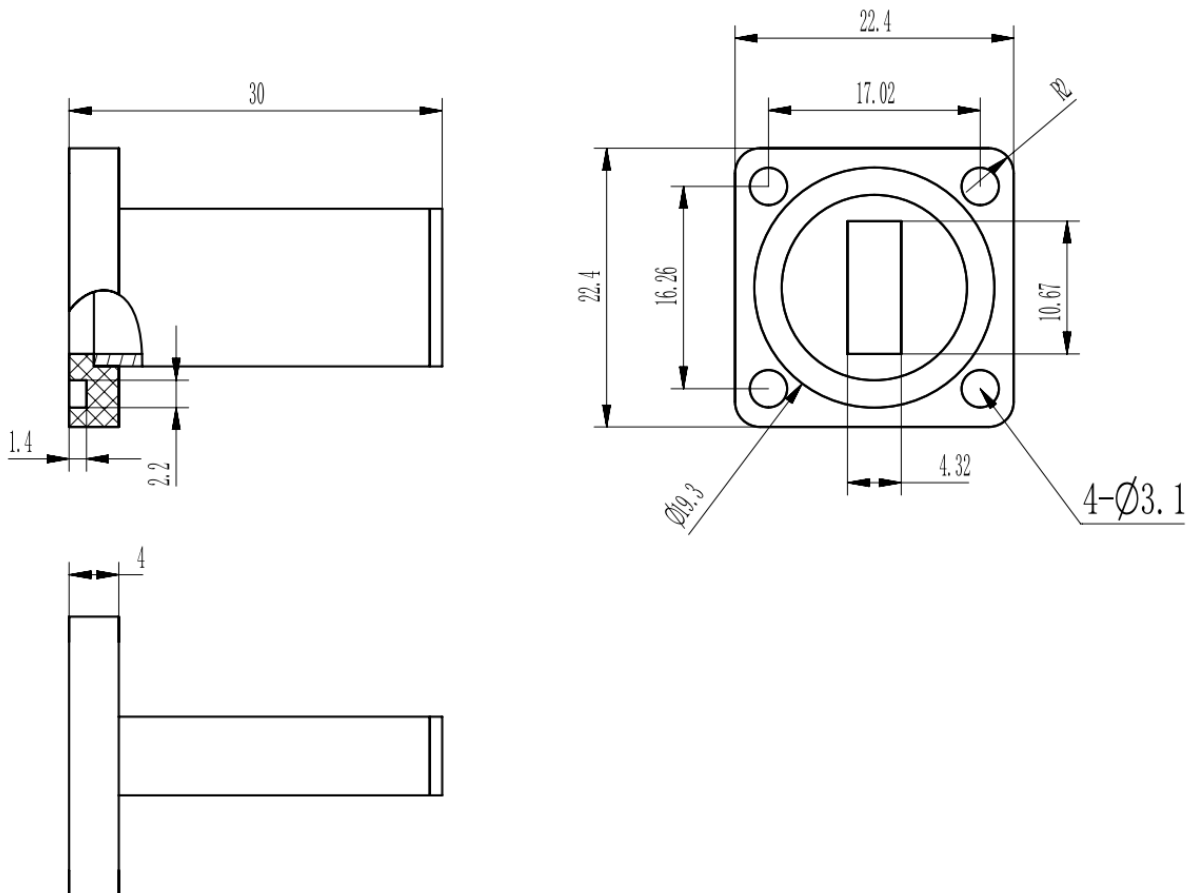
Electrical

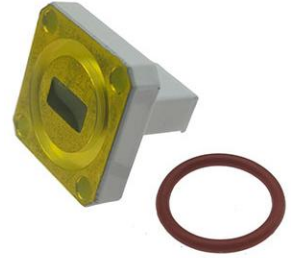
Impedance	50 ohm
Frequency Range	17.6-26.7 GHz
VSWR	1.2 max
Input Avg Power	15 Watts @ 25°C
Operating Temperature	-40°C~+70°C

Mechanical

Waveguide Size	WR42(R220)
Flange Type	IEC: PBR220
Waveguide Material	Aluminum
Waveguide Finish	Grey painted

Dimensions(mm)





Typical Test Data

